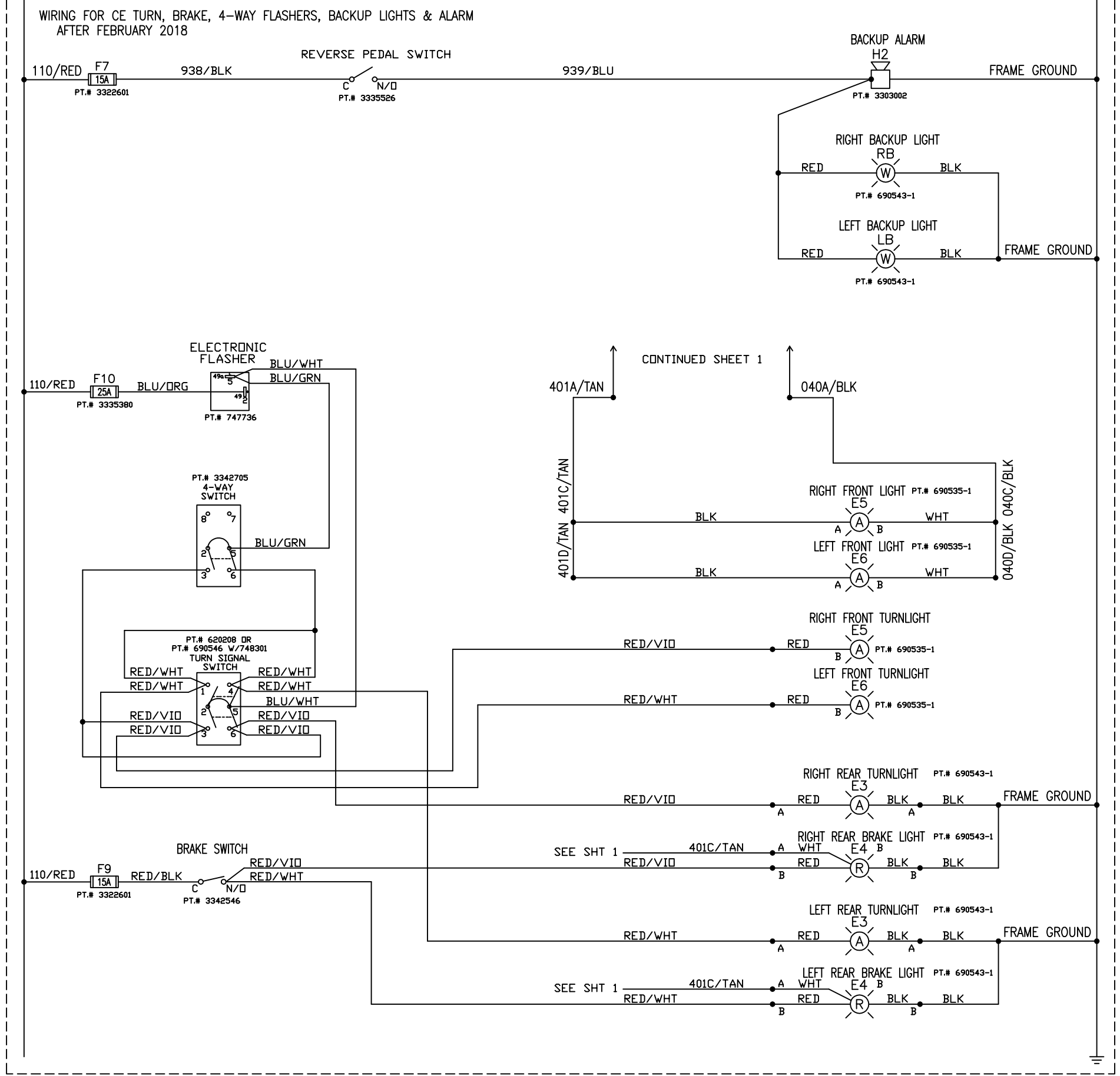


10X LED LIGHTING



REV	ECN	DATE	DESCRIPTION	BY	CONFIDENTIAL	TITLE			
B	MIN-13573	09/29/17	ADDED BLUE SAFETY LIGHTS	KHH	<small>THIS DRAWING AND ALL INFORMATION CONTAINED HEREIN ARE THE EXCLUSIVE PROPERTY OF MINUTEMAN INTERNATIONAL, INC. THIS DRAWING IS NOT TO BE COPIED OR OTHERWISE REPRODUCED WITHOUT EXPRESSED WRITTEN PERMISSION OF MINUTEMAN INTERNATIONAL, INC. IN ADDITION, THIS DRAWING MUST BE RETURNED UPON REQUEST. FURTHER, ALL INFORMATION CONTAINED HEREIN MUST BE MAINTAINED CONFIDENTIAL.</small>	SCHEMATIC, ELECTRICAL 10X DIESEL			
C	150399	08/01/18	UPDATED OPTIONS & ADD SHEET 5	KHH					
D	150485	11/20/18	UPDATED MERV, PT.#S	KHH					
ELECTRICAL DESIGN ENGINEER KEN.HARTLEY					CAD BY KHH	DATE 06/21/17	PART NUMBER 745057	REVISION D	PAGE NUMBER 4 OF 5